

CHAR-LYNN®
 HYDRAULIC MOTOR
 4000 SERIES
 PARTS INFORMATION
 NO. 6-122

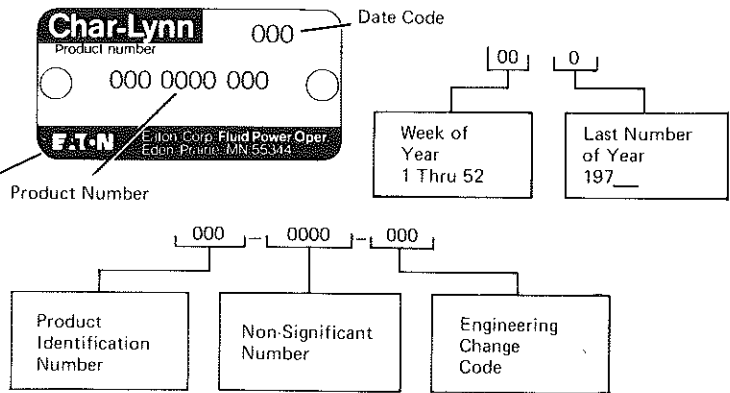
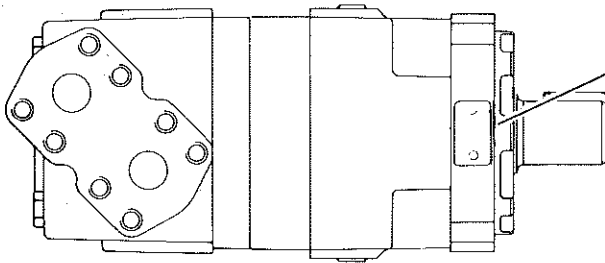
HOW TO ORDER
 REPLACEMENT PARTS

Product Number Cross Reference List

Port Size	Type of Motor	Type of Motor	Product Number				
			Displacement (cu. in./rev.)				
			6.6	10	12	14	17
SAE 3/4" Split Flange	Standard	Straight	109-1001-003	109-1002-003	109-1003-003	109-1004-003	109-1005-003
		Tapered	109-1006-003	109-1007-003	109-1008-003	109-1009-003	109-1010-003
		Splined	109-1011-003	109-1012-003	109-1013-003	109-1014-003	109-1015-003
	Wheel	Straight	110-1001-003	110-1002-003	110-1003-003	110-1004-003	110-1005-003
		Tapered	110-1006-003	110-1007-003	110-1008-003	110-1009-003	110-1010-003
		Splined	110-1011-003	110-1012-003	110-1013-003	110-1014-003	110-1015-003
	Bearingless Motor		111-1001-003	111-1002-003	111-1003-003	111-1004-003	111-1005-003
7/8-14 O-ring	Standard	Straight	109-1028-003	109-1029-003	109-1030-003	109-1031-003	109-1032-003
		Tapered	109-1033-003	109-1034-003	109-1035-003	109-1036-003	109-1037-003
		Splined	109-1038-003	109-1039-003	109-1040-003	109-1041-003	109-1042-003
	Wheel	Straight	110-1024-003	110-1025-003	110-1026-003	110-1027-003	110-1028-003
		Tapered	110-1029-003	110-1030-003	110-1031-003	110-1032-003	110-1033-003
		Splined	110-1034-003	110-1035-003	110-1036-003	110-1037-003	110-1038-003
	Bearingless Motor		111-1010-003	111-1011-003	111-1012-003	111-1013-003	111-1014-003

EACH ORDER MUST INCLUDE THE FOLLOWING INFORMATION

1. Product Number
2. Date Code
3. Part Name
4. Part Number
5. Quantity of Parts



Eaton Corporation **Hydraulics Division** 15151 Highway 5 Eden Prairie, MN 55344 Telephone (612) 937-9800

