

**EAT•N**

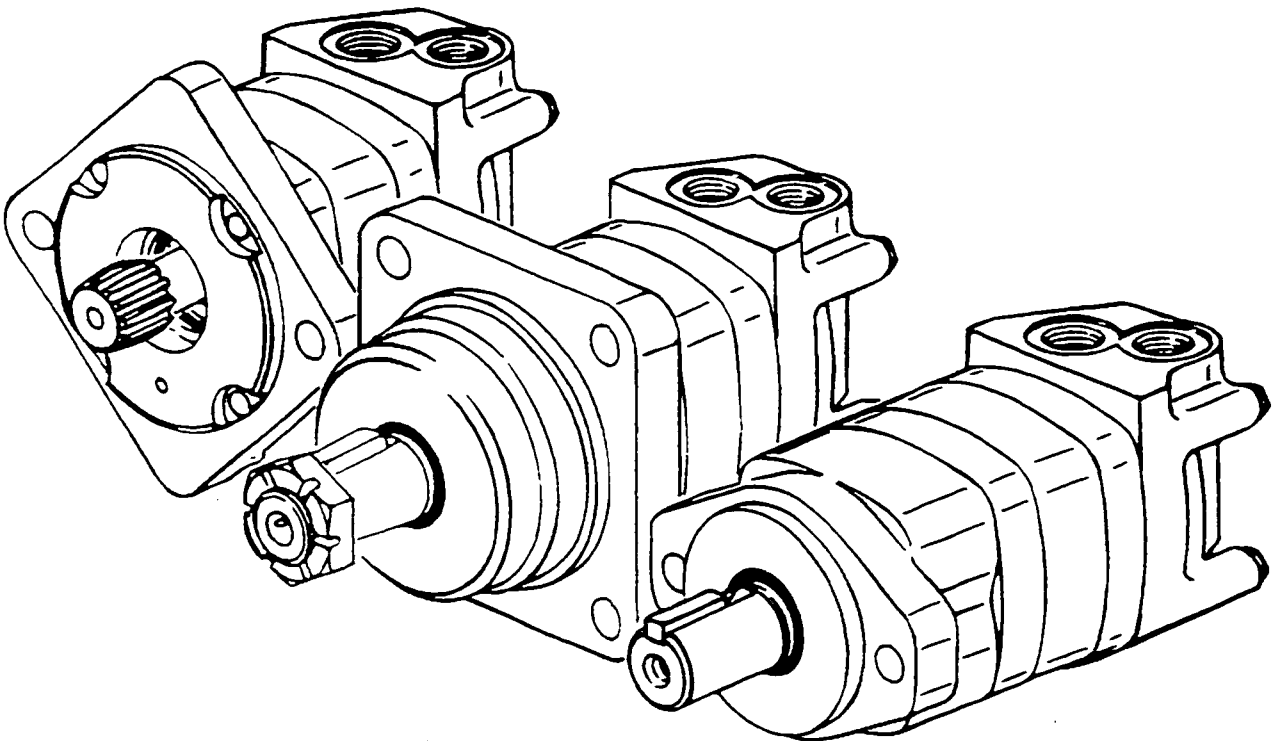
**Char-Lynn**

Hydraulic Motors

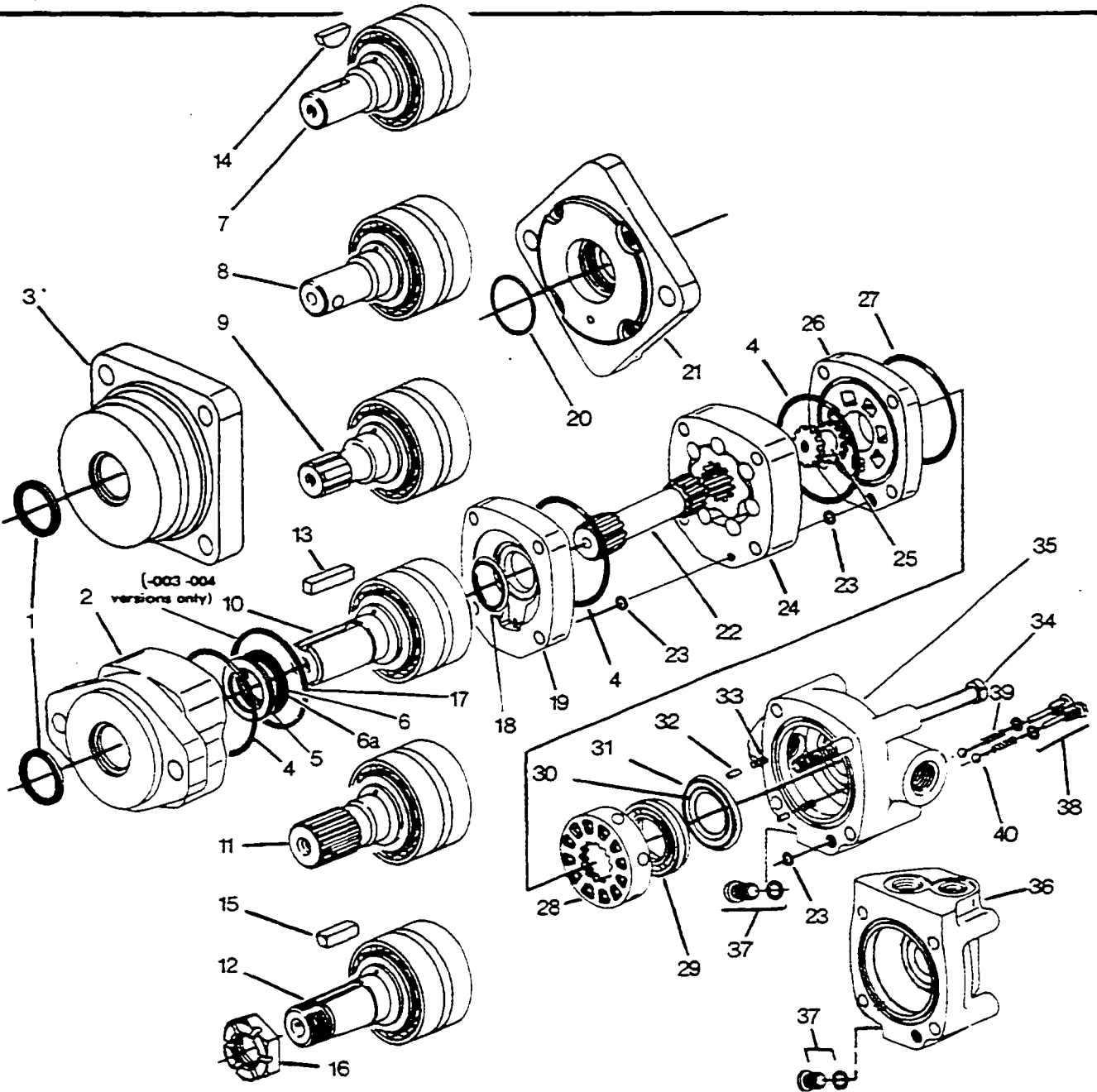
2000 Series  
Geroler® Motors

003 004 005

Parts Information



PARTS DRAWING



Displ. (cu. in./rev)	Ref. No. 22 (Drive)			Ref. No. 24 (Geroler)		Ref. No. 34 (Bolt)			
	Design Code/Part No.					For Standard and Wheel Motors		For Bearingless Motors	
	-003	-004	-005	Part No.	Width	Part No.	Length	Part No.	Length
4.9	---	---	21371-9	8789-1	.701"	14384-7	5.45"	14384-2	4.26"
6.2	---	---	21371-10	8789-2	.884"	14384-7	5.45"	14384-2	4.26"
8.0	---	---	21371-4	8789-3	1.137"	14384-9	5.95"	14384-3	4.77"
9.6	8289	21371-4	21371-4	8789-4	1.137"	14384-9	5.95"	14384-3	4.77"
11.9	8359	21371-5	21371-5	8789-5	1.402"	14384-9	5.95"	14384-4	5.01"
14.9	8360	21371-6	21371-6	8789-6	1.758"	14384-11	6.41"	14384-7	5.45"
18.7	8361	21371-7	21371-7	8789-7	2.206"	14384-13	6.57"	14384-9	5.95"
24.0	---	21371-8	21371-8	8789-8	2.833"	14384-15	7.54"	14384-11	6.41"

## PARTS LIST

Note: This parts list covers -003, -004 and -005 versions of the 2000 Series Motor. Major design changes are indicated by the design code which is the last 3 digits of the product number. The current design code is -005. Not all parts are interchangeable. See column for design code of your motor.

Ref. No.	Design Code/Part Number			Description	Qty. Per Unit		
	-003	-004	-005		Std. Motor	Wheel Motor	Brigless Motor
1	9121-1	9121-1	9121-1	Seal, Dust	1	1	
2	8537 ***	8537 ***	8537	Housing, Bearing	1		
3	8536 ***	8536 ***	8536	Housing, Bearing		1	
4	9022-6	9022-6	9022-6	Seal 3" I.D.	3	3	2
5	7382	7382	7382	Washer, Back-up	1	1	
6	9057-9	9057-9	9057-9	Seal, Shaft	1	1	
6a	9117-4	9117-4	9117-4	Seal, Shaft, Viton	1	1	
7	7404-1	7404-1	7404-1	Shaft & Bearing Kit (1" Straight) **	1	1	
8	7404-6	7404-6	7404-6	Shaft & Bearing Kit (1" w/crosshole) **	1	1	
9	7404-2	7404-2	7404-2	Shaft & Bearing Kit (1" Splined) **	1	1	
10	7404-3	7404-3	7404-3	Shaft & Bearing Kit (1-1/4" Straight) **	1	1	
11	7404-4	7404-4	7404-4	Shaft & Bearing Kit (1-1/4" Splined) **	1	1	
12	7404-5	7404-5	7404-5	Shaft & Bearing Kit (1-1/4" Tapered) **	1	1	
(above shaft and bearing kits contain parts which are NSS)							
13	14392-8	14392-8	14392-8	Key (for straight shaft ref. no.10)	1	1	
14	14193	14193	14193	Key (for straight shaft ref. no. 7 )	1	1	
15	14392-6	14392-6	14392-6	Key (for tapered shaft ref. no. 12 )	1	1	
16	14163	14163	14163	Nut, Hex (for tapered shaft ref. no.12 )	1	1	
17	61203	61203	DNA	Spacer Bearing Kit **	1	1	
18	9050	9050	9050	Seal, Shaft Face	1	1	
19	7390	7390	7390	Plate, Wear	1	1	
20	15127	15127	15127	Seal, O-ring 1-1/2" I.D.			1
21	8055	8055	8055	Flange, Mounting			1
22	.	.	.	Drive	1	1	1
23	15006	15006	15006	Seal, O-ring 5/16" I.D.	3	3	3
24	.	.	.	Geroler	1	1	1
25	8038	8433	8433	Drive, Valve	1	1	1
26	7370-2	8432	8432	Plate, Valve	1	1	1
27	9022-2	9022-2	9022-2	Seal, 2-5/8" I.D.	1	1	1
28	21466	8435	8435	Valve	1	1	1
29	8915	8915	8915	Balance Ring	1	1	1
30	9049-1	9049-1	9049-1	Seal, Face, Inner	1	1	1
31	9048-1	9048-1	9048-1	Seal, Face, Outer	1	1	1
32	14351	14351	14351	Pin	2	2	2
33	7383	7383	7383	Spring	2	2	2
34	.	.	.	Bolt	4	4	4
35	DNA	8159-2	8159-2	Housing, Valve (1-1/16"-12 180° ports)	1	1	1
36	8355	8355	8355	Housing, Valve (7/8"-14 staggered ports)	1	1	1
37	9072-3	9072-3	9072-3	Plug Assembly	1	1	1
	250003-904	250003-904	250003-904	O-ring	1	1	1
38	8350	8350	8350	Check Plug Assembly	2	2	2
	250003-903	250003-903	250003-903	O-ring	2	2	2
39	6464	6464	6464	Spring	2	2	2
40	18026	18026	18026	Ball, Steel	2	2	2

61252 Seal Kit, Contains all seals for Standard and Wheel Motors

61202 Seal Kit, Motor (Bearingless Motor Only), contains all seals except shaft seal and dust seal.

61247 Viton Seal Kit, contains all seals for Standard and Wheel Motors.

\*\*Order 61203 Bearing Spacer Kit whenever you replace the Shaft and Bearing Kit.

\*\*\* When replacing the bearing housing on the -003 and -004 versions, delete the bearing spacer.

..See chart on opposite page DNA—Does Not Apply NSS—Not Sold Separately

**7/8-14 O-ring Staggered Ports**

Mounting	Shaft	Displacement cm <sup>3</sup> /r [in <sup>3</sup> /r] and Product Number							
		80 [ 4.9]	100 [ 6.2]	130 [ 8.0]	160 [ 9.6]	195 [11.9]	245 [14.9]	305 [18.7]	395 [24.0]
2 Bolt SAE A Flange	1 inch Straight	104-1001	-1002	-1003	-1004	-1005	-1006	-1007	-1143
	1 inch SAE 6B Splined	104-1015	-1016	-1017	-1018	-1019	-1020	-1021	1227
	1-1/4 inch Straight	104-1022	-1023	-1024	-1025	-1026	-1027	-1028	-1228
	1-1/4 inch 14 T Splined	104-1029	-1030	-1031	-1032	-1033	-1034	-1035	-1229
	1-1/4 inch Tapered	104-1008	-1009	-1010	-1011	-1012	-1013	-1014	-1226
Wheel Motor	1 inch Straight	105-1008	-1009	-1010	-1011	-1012	-1013	-1014	-1061
	1 inch SAE 6B Splined	105-1015	-1016	-1017	-1018	-1019	-1020	-1021	1062
	1-1/4 inch Straight	105-1022	-1023	-1024	-1025	-1026	-1027	-1028	-1063
	1-1/4 inch 14 T Splined	105-1029	-1030	-1031	-1032	-1033	-1034	-1035	-1096
	1-1/4 inch Tapered	105-1001	-1002	-1003	-1004	-1005	-1006	-1007	-1060
Bearingless		106-1008	-1009	-1010	-1011	-1012	-1013	-1014	-1015

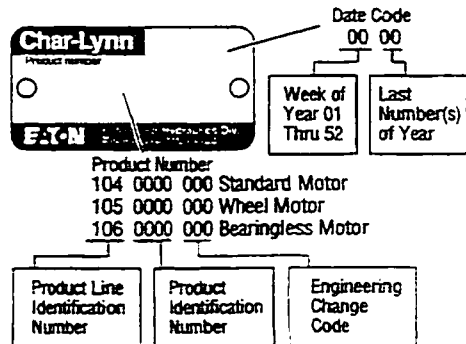
**1-1/16—12 O-ring 180° Apart**

Mounting	Shaft	Displacement cm <sup>3</sup> /r [in <sup>3</sup> /r] and Product Number							
		80 [ 4.9]	100 [ 6.2]	130 [ 8.0]	160 [ 9.6]	195 [11.9]	245 [14.9]	305 [18.7]	395 [24.0]
2 Bolt SAE A Flange	1 inch Straight	104-1037	-1038	-1039	-1040	-1041	-1042	-1043	-1044
	1 inch Straight w/Crosshole	104-1045	-1046	-1047	-1048	-1049	-1050	-1051	-1052
	1 inch SAE 6B Splined	104-1053	-1054	-1055	-1056	-1057	-1058	-1059	-1060
	1-1/4 inch Straight	104-1061	-1062	-1063	-1064	-1065	-1066	-1067	-1068
	1-1/4 inch 14 T Splined	104-1087	-1088	-1089	-1090	-1091	-1092	-1093	-1094
	1-1/4 inch Tapered	104-1095	-1096	-1097	-1098	-1099	-1100	-1101	-1102
Wheel Motor	1 inch Straight	105-1036	-1037	-1038	-1039	-1040	-1041	-1042	-1043
	1 inch SAE 6B Splined	105-1044	-1045	-1046	-1047	-1048	-1049	-1050	-1051
	1-1/4 inch Straight	105-1052	-1053	-1054	-1055	-1056	-1057	-1058	-1059
	1-1/4 inch 14 T Splined	105-1079	-1080	-1081	-1082	-1083	-1084	-1085	-1086
	1-1/4 inch Tapered	105-1071	-1072	-1073	-1074	-1075	-1076	-1077	-1078
Bearingless		106-1030	-1031	-1032	-1033	-1034	-1035	-1036	-1037

**How to Order Replacement Parts**

**Each Order Must Include the Following:**

1. Product Number
2. Date Code
3. Part Name
4. Part Number
5. Quantity of Parts



Eaton  
14615 Lone Oak Road  
Eden Prairie, MN 55344  
USA  
Tel: 952 937-9800  
Fax: 952 974-7722  
www.hydraulics.eaton.com

Eaton  
20 Rosamond Road  
Footscray  
Victoria 3011  
Australia  
Tel: (61) 3 9319 8222  
Fax: (61) 3 9318 5714

Eaton  
Dr.-Reckeweg-Str. 1  
D-75532 Baden-Baden  
Germany  
Tel: (49) 7221 682-0  
Fax: (49) 7221 682-788



**Char-Lynn**