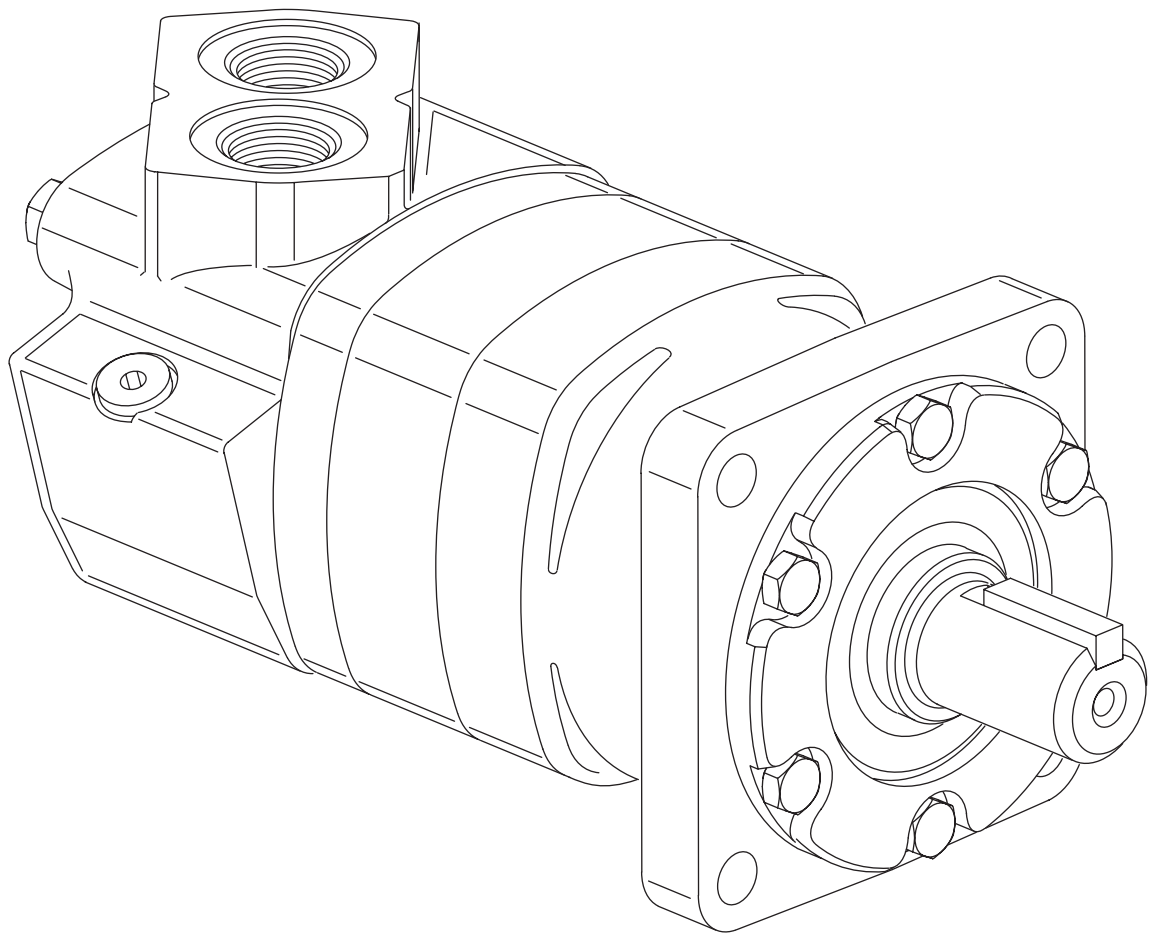


Char-Lynn®

Disc Valve Motors



Parts Information



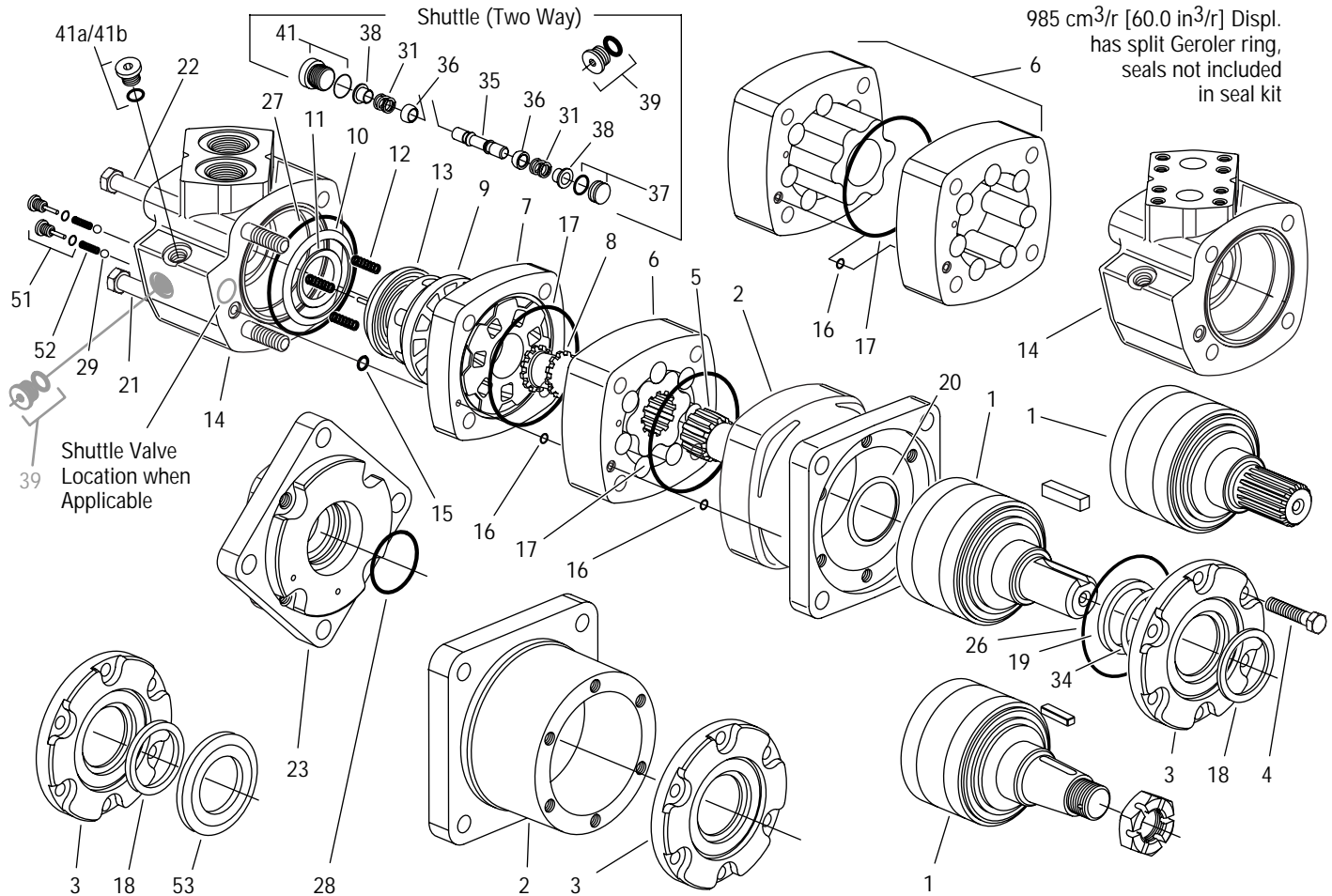
6000 Series (includes Big 6 see pages 4 and 5)
Geroler® Motors

-005 and -006

Disc Valve Motors — 6000 Series -005 and -006



Displacement cm ³ /r [in ³ /r]	Drive, Main Item No. 5—Part No./Length		Geroler® Item No. 6—Part No./Width		Screw, Cap Item No. 21 —Part No./Length		Screw, Cap Item No. 22—Part No./Length	
	Part No.	mm [inch]	Part No.	mm [inch]	Part No.	mm [in.]	Part No.	mm [in.]
195 [11.9]	21373-001	105,1 [4.14]	8507-001	21,7 [.85]	14409-001	125,7 [4.95]	14409-005	159,7 [6.29]
245 [15.0]	21373-002	110,7 [4.36]	8507-002	27,3 [1.07]	14409-002	132,1 [5.20]	14409-006	166,1 [6.54]
310 [19.0]	21373-003	118,1 [4.65]	8507-003	34,6 [1.36]	14409-003	138,4 [5.45]	14409-007	172,4 [6.79]
390 [23.9]	21373-004	127,0 [5.00]	8507-004	43,4 [1.71]	14409-004	148,1 [5.83]	14409-008	181,8 [7.16]
490 [30.0]	21373-005	138,2 [5.44]	8507-005	54,4 [2.14]	14409-005	159,7 [6.29]	14409-010	193,3 [7.61]
625 [38.0]	21373-007	152,8 [6.02]	8507-007	69,1 [2.72]	14409-007	172,4 [6.79]	14409-014	208,5 [8.21]
985 [60.0]	21373-006	192,8 [7.59]	8507-006	108,9 [4.29]	14409-012	213,6 [8.41]	14409-013	245,4 [9.66]



Item No.	Part Number -005	Part Number -006	Description	Quantity per Unit		
				Std.	Whl.	Brgl.
1	8711-001	201837-001	Shaft and Bearing Kit (1-1/2 inch Straight)	1	1	
	14393-010	14393-010	Key (for 1-1/2 Straight Shaft)	1	1	
	8711-002	201837-002	Shaft and Bearing Kit (1-3/4 in. Tapered)	1	1	
	8711-013	N/A	Shaft and Bearing Kit (1-3/4 in. Tapered — Special Shaft for Seal Guard)			1
	14230-000	14230-000	Nut, Hex (1-3/4 in. Tapered Shaft)	1	1	
	14394-007	14394-007	Key (for 1-3/4 in. Tapered Shaft)	1	1	
	8711-003	201837-003	Shaft and Bearing Kit (1-1/2 in. Splined 17T)	1	1	
	8711-010	201837-010	Shaft and Bearing Kit (40 mm Straight)	1	1	
	14458-006	14458-006	Key (for 40mm Straight Shaft)	1	1	
	2	8490-000	201839-001	Housing, Bearing (SAE CC) (Standard)	1	
8494-000		201839-002	Housing, Bearing (Wheel Mount)		1	
3	7547-000	201840-001	Retainer, Front	1	1	
4	14253-000	14253-000	Screw, Cap	6	6	

Disc Valve Motors — 6000 Series -005 and -006



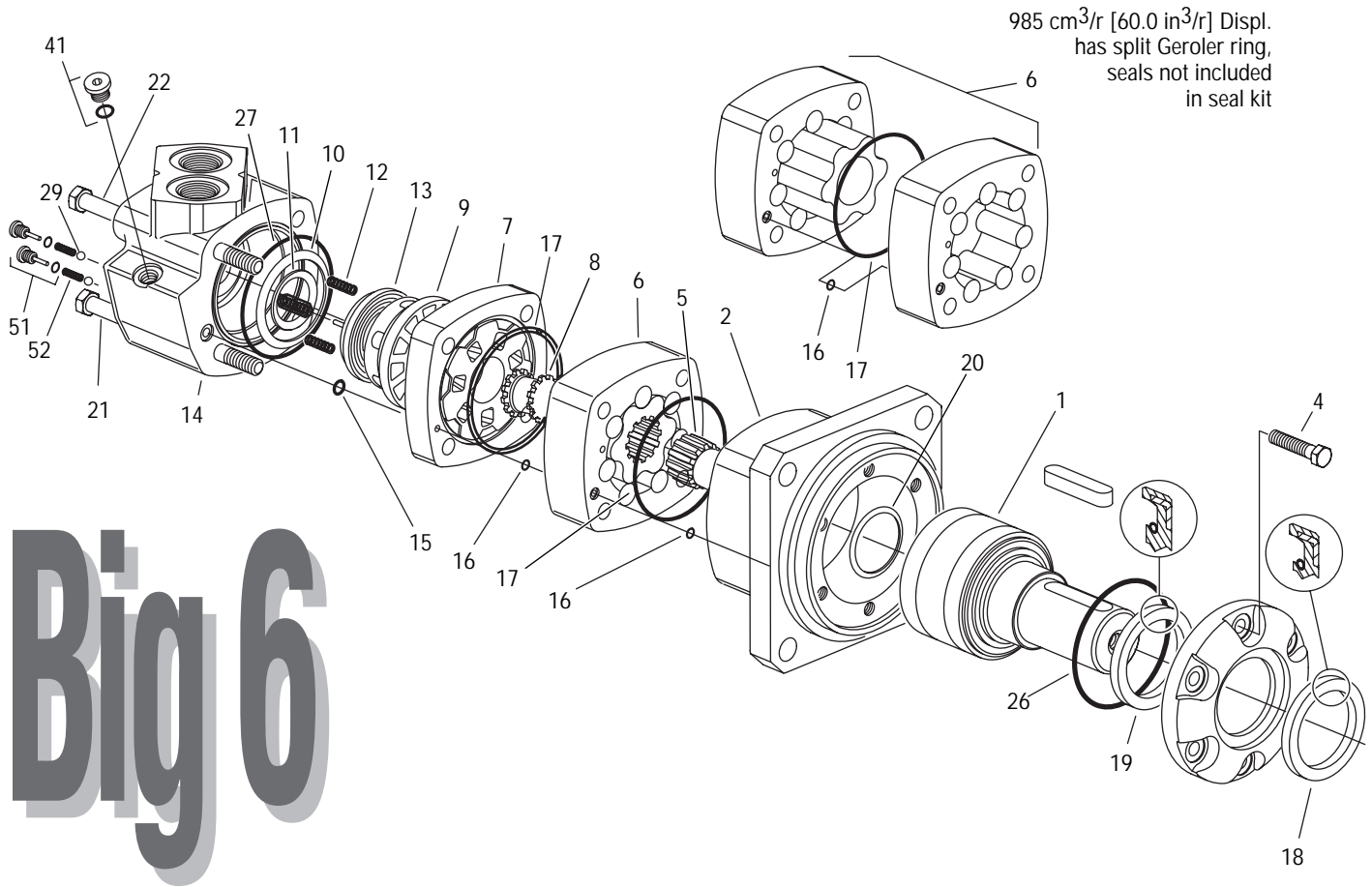
Item No.	Part No. -005	Part No. -006	Description	Quantity per Unit		
				Std.	Whl.	Brgl.
5	*	*	Drive, Main	1	1	1
6	*	*	Geroler®	1	1	1
7	21666-000	21666-000	Plate, Valve	1	1	1
8	8508-000	8508-000	Drive, Valve	1	1	1
9	8497-000	8497-000	Valve	1	1	1
OX 10	6992-000	6992-000	Seal, Face, Outer	1	1	1
OX 11	6993-000	6993-000	Seal, Face, Inner	1	1	1
12	6203-000	6203-000	Spring, Compression	3	3	3
13	21317 -000	21317 -000	Balance Ring w/ Pins	1	1	1
14	8502-004	8502-004	Housing, Valve (1-5/16 Str. Thrd. O-ring Ports — 7/16-20 Case Drain Port)	1	1	1
	23980-001	23980-001	Housing, Valve - Shuttle Valve Type (1-5/16 Str. Thrd. O-ring Ports — 9/16-18 Case Drain Port)	1	1	1
	8502-002	8502-002	Housing, Valve 3/4 in. Split Flange Ports — 7/16-20 Case Drain Port)	1	1	1
	8502-006	8502-006	Housing, Valve (G 1 (BSP) Ports — G 1/4 (BSP) Case Drain Port)	1	1	1
OX 15	15006-000	15006-000	Seal	1	1	1
OX 16	8765-010	8765-010	Seal	2	2	2
X† 17	250052-044	250052-044	Seal	2	2	2
† 18	9039-001	9039-001	Dust Seal	1	1	
† 19	9057-013	9057-013	Seal, Shaft	1	1	
† 20	9080-001	9080-001	Seal, Shaft Face	1	1	
21	*	*	Screw, Cap	2	2	2
22	*	*	Screw, Cap	2	2	2
23	8492-000	8492-000	Flange, Mounting, SAE C			1
OX 26	15039-000	15039-000	Seal	1	1	
OX 27	15062-000	15062-000	Seal	1	1	1
28	15128-000	15128-000	Seal			1
29	18026-000	18026-000	Ball, Steel	2	2	2
31	230079-000	230079-000	Spring	2	2	2
† 34	6991-000	6991-000	Ring, Back-up	1	1	
35	8566-000	8566-000	Piston Shuttle	1	1	1
36	8567-000	8567-000	Poppet	2	2	2
37	201868-002	201868-002	Plug Assembly	1	1	1
	14502-012	14502-012	O-ring	1	1	1
38	8755-000	8755-000	Sleeve, Dash Pot	1	1	1
39	9072-002	9072-002	Plug Assembly	1	1	1
	250003-903	250003-903	O-ring	1	1	1
41	9072-005	9266-006	Plug Assembly (9/16-18 Shuttle Valve End)	1	1	1
	250003-906	250003-906	O-ring	1	1	1
41a	9072-003	9266-003	Plug Assembly (7/16-20 Case Drain Plug)	1	1	1
	250003-904	250003-904	O-ring	1	1	1
41b	9072-002	9072-002	Plug Assembly (G 1/4 (BSP) Case Drain Plug)	1	1	1
	250003-904	250003-904	O-ring	1	1	1
51	8350-000	8350-000	Check Plug Assembly	2	2	2
X	250003-903	250003-903	O-ring	2	2	2
52	6464-000	6464-000	Spring, Compression	2	2	2
53	14628-003	14628-007	Guard, Seal	1	1	
	61238-000	61238-000	Seal Kit, Rear (Std. and Whl. Motors) — Contains Parts Indicated by X			
	61237-000	61237-000	Seal Kit, Shaft (Std. and Whl. Motors) — Contains Parts Indicated by †			
	61285-000	61285-000	Seal Kit, Complete Buna N with Viton Shaft Seal (Std. and Whl. Motors) — Contains Parts Indicated by X and †			
	61239-000	61239-000	Seal Kit, (Bearingless Motor Only) — Contains Parts Indicated by X			
	61250-000	61250-000	Seal Kit, Viton®** (Bearingless Motor Only)— Contains Parts Indicated by O			
	61246-000	61246-000	Seal Kit, Viton®** (Std. and Whl. Motors) — Contains Parts Indicated by X and †			
	61291-000	61293-000	Seal Kit, Shaft (Std. and Whl. Motors with special Tapered Shaft for Seal Guard — Shaft End Seals Only)			

* — See chart on opposite page.

Viton® is a registered trade name of Dupont Corporation.

** — Viton seal part numbers differ from part numbers shown above. Note: Back-up Ring (item 34) is not used with Viton shaft seal (item 19)

Displacement cm ³ /r [in ³ /r]	Drive, Main Item No. 5—Part No./Length		Geroler® Item No. 6—Part No./Width		Screw, Cap Item No. 21—Part No./Length		Screw, Cap Item No. 22—Part No./Length	
	Part No.	mm [inch]	Part No.	mm [inch]	Part No.	mm [in.]	Part No.	mm [in.]
195 [11.9]	21373-001	105,1 [4.14]	8507-001	21,7 [.85]	14409-001	125,7 [4.95]	14409-005	159,7 [6.29]
390 [23.9]	21373-004	127,0 [5.00]	8507-004	43,4 [1.71]	14409-004	148,1 [5.83]	14409-008	181,8 [7.16]
490 [30.0]	21373-005	138,2 [5.44]	8507-005	54,4 [2.14]	14409-005	159,7 [6.29]	14409-010	193,3 [7.61]
625 [38.0]	21373-007	152,8 [6.02]	8507-007	69,1 [2.72]	14409-007	172,4 [6.79]	14409-014	208,5 [8.21]
737 [45.0]	21373-00X	000,0 [0.00]	8507-00X	000,0 [0.00]	14409-00X	000,0 [0.00]	14409-0XX	000,0 [0.00]
803 [49.0]	21373-00X	000,0 [0.00]	8507-00X	000,0 [0.00]	14409-00X	000,0 [0.00]	14409-0XX	000,0 [0.00]
985 [60.0]	21373-006	192,8 [7.59]	8507-006	108,9 [4.29]	14409-012	213,6 [8.41]	14409-013	245,4 [9.66]



Item No.	Part Number -006	Description	Quantity per Unit
			Std.
1	201837-001	Shaft and Bearing Kit (50mm Straight)	1
	14393-010	Key (for 50mm Straight Shaft)	1
2	201839-001	Housing, Bearing — Global Mount (Similar to ISO 3019 / 2)	1
3	201840-001	Retainer, Front	1
4	14253-000	Screw, Cap	6

Big 6

Item No.	Part No. -006	Description	Quantity per Unit	
				Std.
5	*	Drive, Main		1
6	*	Geroler®		1
7	21666-000	Plate, Valve		1
8	8508-000	Drive, Valve		1
9	8497-000	Valve		1
X 10	6992-000	Seal, Face, Outer		1
X 11	6993-000	Seal, Face, Inner		1
12	6203-000	Spring, Compression		3
13	21317 -000	Balance Ring w/ Pins		1
14	8502-006	Housing, Valve (G 1 (BSP) Ports — G 1/4 (BSP) Case Drain Port)		1
X 15	15006-000	Seal		1
X 16	8765-010	Seal		2
X 17	250052-044	Seal		2
X 18	14850-001	Dust Seal		2
X 19	14858-001	Seal, Shaft		1
X 20	9080-001	Seal, Shaft Face		1
21	*	Screw, Cap		2
22	*	Screw, Cap		2
X 26	15039-000	Seal		1
X 27	15062-000	Seal		1
29	18026-000	Ball, Steel		2
41	9170-002	Plug Assembly (G 1/4 (BSP) Case Drain Plug)		1
	250003-904	O-ring		1
51	8350-000	Check Plug Assembly		2
X	250003-903	O-ring		2
52	6464-000	Spring, Compression		2
	61315-000	Seal Kit, Complete Buna N with Viton Shaft Seal — Contains Parts Indicated by X		

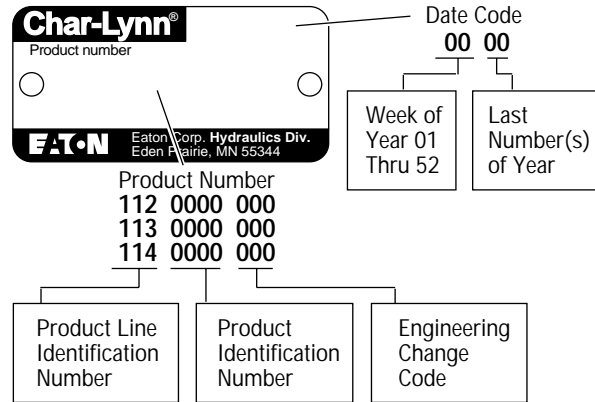
How to Order Replacement Parts

Each Order Must Include the Following:

1. Product Number
2. Date Code
3. Part Name
4. Part Number
5. Quantity of Parts

For More Detailed Information Contact Eaton Corp. Hydraulics Division 15151 Highway 5 Eden Prairie, MN 55344.

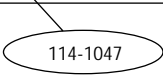
- Specifications and performance data, Catalog No. 11-878
- When servicing 6000 Series Motors refer to Repair Information No. 7-119. This repair manual lists tools required, and step by step disassembly and reassembly procedures.



Product Numbers—6000 Series Motors

Use digit prefix —112-, 113-, or 114- plus four digit number from charts for complete product number—**Example 114-1047**.

Mounting	Shaft	Ports	Displacement cm ³ /r [in ³ /r] and Product Number						
			195 [11.9]	245 [15.0]	310 [19.0]	390 [23.9]	490 [30.0]	625 [38.0]	985 [60.0]
Standard	1-1/2 inch Straight	1-5/16 O-ring	112-1064	-1065	-1066	-1067	-1068	-1107	-1069
	40 mm Straight	G 1 (BSP)	112-1094	-1095	-1096	-1097	-1098	—	-1099
	1-1/2 Inch 17 T Splined	1-5/16 O-ring	112-1058	-1059	-1060	-1061	-1062	-1109	-1063
		G 1 (BSP)	112-1088	-1089	-1090	-1091	-1092	—	-1093
Wheel Motor	40 mm Straight	G 1 (BSP)	113-1082	-1083	-1084	-1085	-1086	-1100	-1087
	1-3/4 Inch Tapered	1-5/16 O-ring	113-1070	-1071	-1072	-1073	-1074	-1093	-1075
Bearingless		1-5/16 O-ring	114-1031	-1032	-1033	-1034	-1035	-1055	-1036
		G 1 (BSP)	114-1043	-1044	-1045	-1046	-1047	—	-1048



Big 6

How to Order Replacement Parts

Each Order Must Include the Following:

1. Product Number
2. Date Code
3. Part Name
4. Part Number
5. Quantity of Parts

For More Detailed Information Contact Eaton Corp. Hydraulics Division 15151 Highway 5 Eden Prairie, MN 55344.

- Specifications and performance data, Catalog No. 11-878
- When servicing 6000 Series Motors refer to Repair Information No. 7-119. This repair manual lists tools required, and step by step disassembly and reassembly procedures.

Product Numbers – 6000 Series (Big 6)

Mounting Type - Standard (Code H), 4 Bolt:

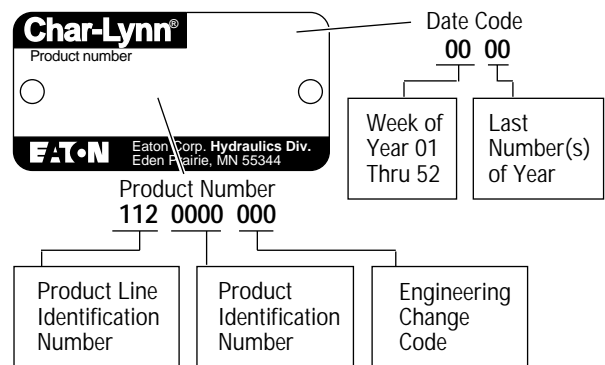
- 160,0 [6.30] Pilot Dia.
- 18,01 [.709] Dia. Mounting Holes
- 200,0 [7.87] Dia. Bolt Circle

Output Shaft - Straight (Code 21)

Ports - G1 (BSP) Staggered G 1/4 Case Drain (Code C)

Paint - Low Gloss Black

Use digit prefix —112- plus four digit number from charts for complete product number—**Example 112-1215.**
Orders will not be accepted without three digit prefix.



Mounting	Shaft	Ports	Displacement cm ³ /r [in ³ /r] and Product Number						
			310 [19.0]	390 [23.9]	490 [30.0]	625 [38.0]	737 [45.0]	800 [49.0]	985 [60.0]
Standard	50 mm Straight	G 1 (BSP)	112-1217	-1218	-1215	-1216	-1247	-1219	-1220

112-1215

Eaton
Fluid Power Group
Hydraulics Business USA
14615 Lone Oak Road
Eden Prairie, MN 55344
USA
Tel: 952-937-9800
Fax: 952-294-7722
www.eaton.com/hydraulics

Eaton
Fluid Power Group
Hydraulics Business Europe
Route de la Longeraie 7
1110 Morges
Switzerland
Tel: +41 (0) 21 811 4600
Fax: +41 (0) 21 811 4601

Eaton
Fluid Power Group
Hydraulics Business Asia Pacific
11th Floor Hong Kong New World Tower
300 Huaihai Zhong Road
Shanghai 200021
China
Tel: 86-21-6387-9988
Fax: 86-21-6335-3912